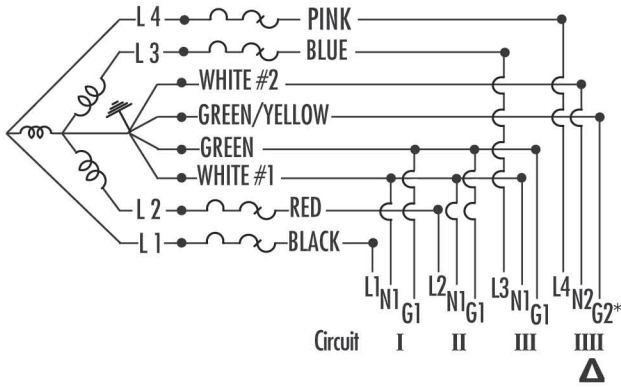


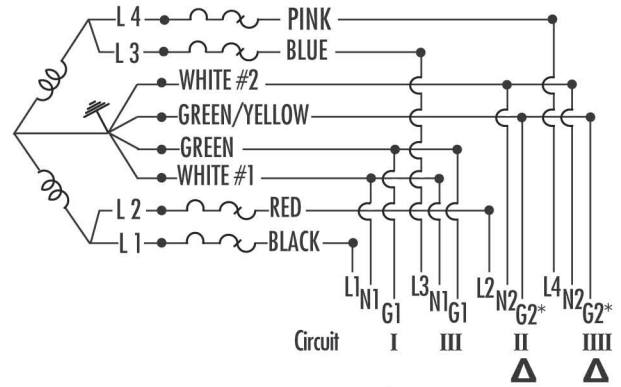
4-Circuit Power Entry

System is rated for connection to a 3 phase system.
Rating 120/208V, 3-PH WYE, 60-hz, 20 amp (CSA 15 amp)
multi-wire branch circuit



*Separate isolated ground

System is rated for connection to a ground 120/240V,
1-PH 60-hz, 20 amp multi-wire branch circuit



*Separate isolated ground

WARNING:

Risk of fire or electric shock. This office furnishings system may be connected to more than one source of supply. All sources must be disconnected prior to any servicing. No single circuit may be powered by more than one source.