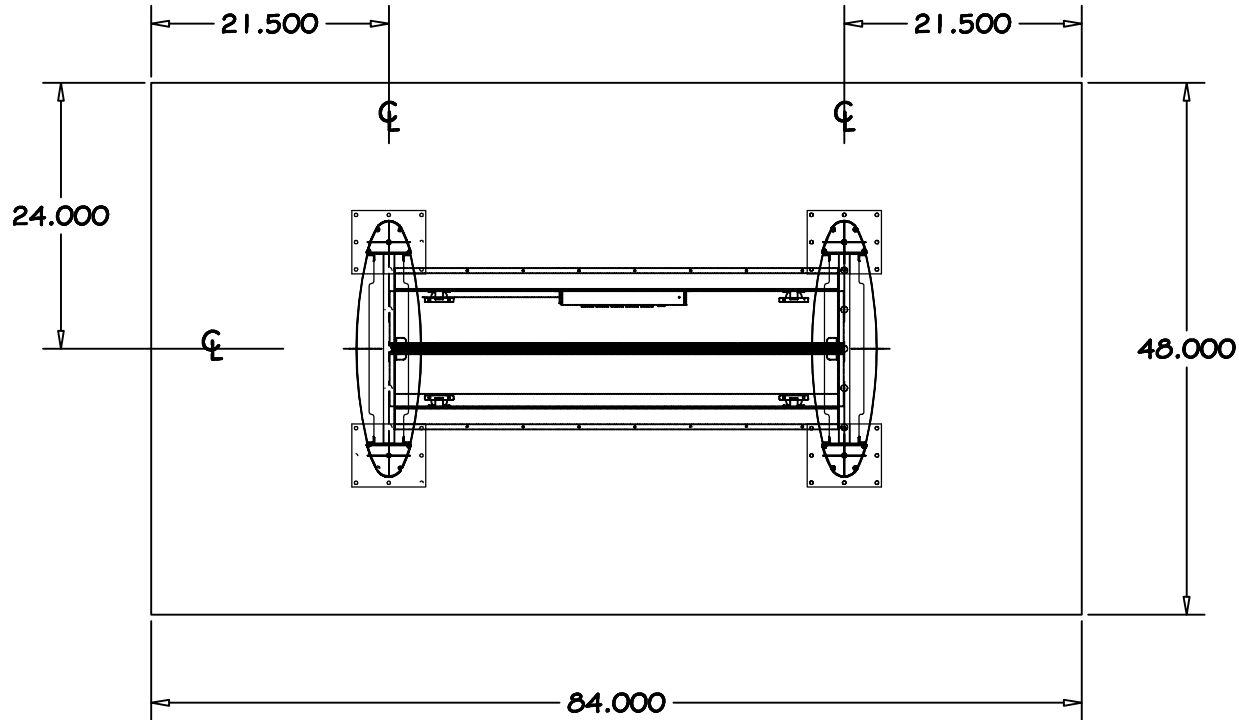


# Mesa Table, 48" x 84"



**CLIENT:**

Friant &  
Associates

**PROPOSAL #:**

00000

**NOTICE:**

THIS DRAWING IS THE PROPERTY OF FRIANT & ASSOCIATES, LLC AND CONTAINS INFORMATION THAT IS NOT TO BE USED EXCEPT IN CONSIDERATION OF BIDS AND PROPOSALS TENDERED THEREWITH. REPRODUCTIONS OR COPYING OF THIS DRAWING, IN WHOLE OR IN PART, IS PROHIBITED.



4901 E. 12TH STREET  
OAKLAND, CA 94601  
TEL: (510) 535-5113

**REVISIONS**

DATE	BY:
_____	_____
_____	_____
_____	_____
_____	_____
_____	_____
_____	_____
_____	_____
_____	_____
_____	_____
_____	_____

SCALE: NTS  
DATE: 8/17/10  
DRAWN BY: G. Walker

**SHEET NAME**

Mesa Table  
48 x 84 x 29H  
Floor Core Locations  
SHEET 1 of 1