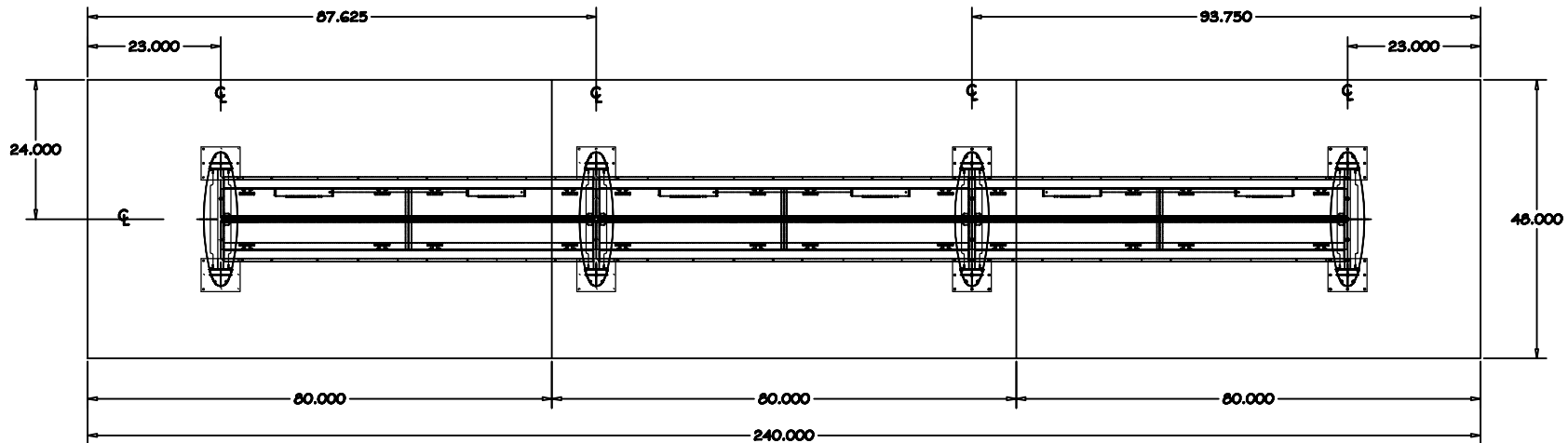


Mesa Table, 48" x 240"



CLIENT:

Friant &  
Associates

PROPOSAL #:

00000

NOTICE:

THIS DRAWING IS THE PROPERTY OF FRIANT & ASSOCIATES, LLC AND CONTAINS INFORMATION THAT IS NOT TO BE USED EXCEPT IN CONSIDERATION OF BIDS AND PROPOSALS TENDERED THEREWITH. REPRODUCTIONS OR COPYING OF THIS DRAWING, IN WHOLE OR IN PART, IS PROHIBITED.



4901 E. 12TH STREET  
OAKLAND, CA 94601  
TEL: (510) 535-5113

REVISIONS

DATE	BY:

SCALE: NTS  
DATE: 8/17/10  
DRAWN BY: G. Walker

SHEET NAME

Mesa Table  
48 x 240 x 29H  
Floor Core Locations  
SHEET 1 of 1